

# Product data sheet

## Characteristics

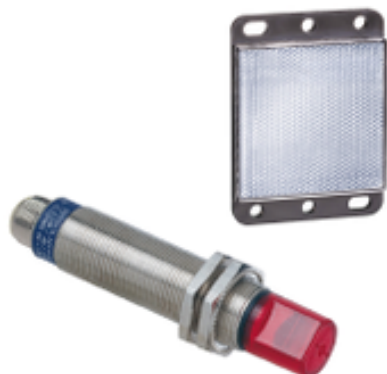
# XU9N18NP341WD

Photoelectric sensors XU, XU9, polarised, 90°, Sn  
2 m, 12...24 VDC, M12



Product availability: Non-Stock - Not normally stocked in distribution facility

Price\*: 124.00 USD



### Main

Range of Product	Telemecanique Photoelectric sensors XU
Series name	Application food and beverage
Electronic sensor type	Photo-electric sensor
Sensor name	XU9
Sensor design	Cylindrical M18
Detection system	Polarised reflex
Material	Stainless steel
Line of sight type	90° lateral
Type of output signal	Discrete
Supply circuit type	DC
Wiring Technique	3-wire
Discrete output type	NPN
Discrete output function	1 NO or 1 NC programmable
Electrical connection	1 male connector M12, 4 pins
Product Specific Application	-
Emission	Red polarised reflex
[Sn] nominal sensing distance	6.56 Ft (2 m) polarised reflex need reflector XUZC50

### Complementary

Enclosure Material	Stainless steel : 304 CU
Lens material	PMMA
Maximum sensing distance	9.84 Ft (3 m)
Output Type	Solid state
Add on output	Without
Add on input	Programmation
Cable composition	4 x 0.34 mm <sup>2</sup>
Wire insulation material	PvR
Cable outer diameter	0.17 In (4.2 mm)

Status LED	1 LED green)supply on 1 LED yellow)output state
[Us] rated supply voltage	12...24 V DC with reverse polarity protection
Supply voltage limits	10...30 V DC
Switching capacity in mA	<= 100 mA overload and short-circuit protection)
Switching frequency	<= 500 Hz
Maximum voltage drop	<1.5 V closed state)
Current consumption	<= 30 mA no-load
Maximum delay first up	15 Ms
Maximum delay response	1 Ms
Maximum delay recovery	1 Ms
Setting-up	Without sensitivity adjustment
Diameter	0.71 In (18 mm)
Length	3.07 In (78 mm)
Net Weight	0.19 Lb(US) (0.085 kg)
Kit composition	Reflector XUZC50 Sensor

## Environment

Product Certifications	CSA CE UL
Ambient air temperature for operation	-13...131 °F (-25...55 °C)
Ambient Air Temperature for Storage	-40...158 °F (-40...70 °C)
Vibration resistance	25 gn +/- 1.5 mm 10...55 Hz) IEC 60068-2-6
Shock resistance	30 gn 11 ms) IEC 60068-2-27
IP degree of protection	IP67 conforming to IEC 60529

## Ordering and shipping details

Category	22481 - SENSORS, PHOTOELECTRIC
Discount Schedule	DS2
GTIN	03389110853797
Nbr. of units in pkg.	1
Package weight(Lbs)	3.21 Oz (91 g)
Returnability	No
Country of origin	FR

## Packing Units

Unit Type of Package 1	PCE
Package 1 Height	1.77 In (4.5 cm)
Package 1 width	3.23 In (8.2 cm)
Package 1 Length	2.83 In (7.2 cm)

## Offer Sustainability

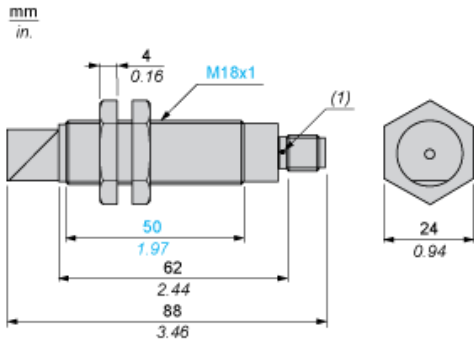
Sustainable offer status	Green Premium product
California proposition 65	WARNING: This product can expose you to chemicals including: Diisononyl phthalate (DINP), which is known to the State of California to cause cancer, and Diisodecyl phthalate (DIDP), which is known to the State of California to cause birth defects or other reproductive harm. For more information go to <a href="http://www.P65Warnings.ca.gov">www.P65Warnings.ca.gov</a>
REACH Regulation	<a href="#">REACH Declaration</a>
EU RoHS Directive	Pro-active compliance (Product out of EU RoHS legal scope) <a href="#">EU RoHS Declaration</a>
Mercury free	Yes

RoHS exemption information	<a href="#">Yes</a>
Environmental Disclosure	<a href="#">Product Environmental Profile</a>
Circularity Profile	<a href="#">End Of Life Information</a>

### Contractual warranty

Warranty	18 months
----------	-----------

Dimensions



(1) LED

---

Mounting and Clearance

---

Fixing nut tightening torque: < 15 N.m

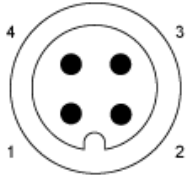
Connector tightening torque: 2 N.m

---

Wiring Schemes

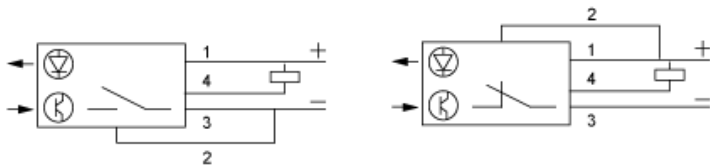
---

M12 Connector



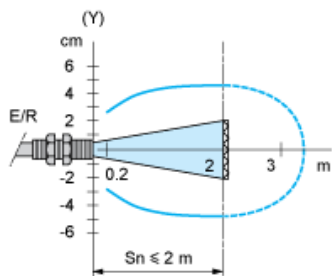
- 3: (-)
- 1: (+)
- 4: OUT/Output
- 2: Prog

3-wire, NPN NO or NC Programmable Function



Detection Curves

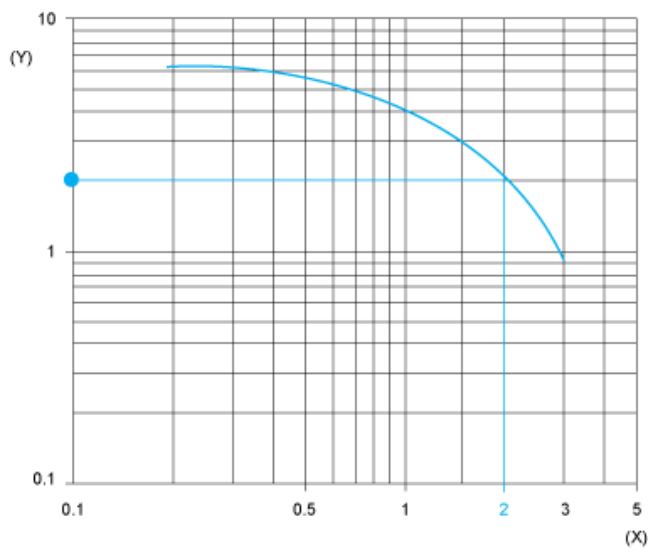
Polarised Reflex System with Reflector XUZC50



(y) Ø of beam

Excess Gain Curves (Ambient Temperature: + 25° C)

Polarised Reflex System with Reflector XUZC50



(y) Gain  
(x) Distance (m)

Product Life Status : **Commercialised**